

# U200

## 8 port Switch



- ⌘ 8 port switch flexible combination of TX (copper) and FX (fibre) ports
- ⌘ Push button/auto-negotiation port configuration
- ⌘ Reliable network technology
  - Layer 2 switching/supports layer 3 priority tagging and head of line blocking prevention
- ⌘ MDX/MDI-X auto polarity technology
- ⌘ Long cable specification up to 185 metres (616 ft)
- ⌘ LEDs for diagnostics
- ⌘ Extra wide temperature range  $-40^{\circ}\text{C}$  to  $+65^{\circ}\text{C}$  ( $-40^{\circ}\text{F}$  to  $+158^{\circ}\text{F}$ )
- ⌘ Redundant power
- ⌘ Wide DC power range
- ⌘ Available fibre connectors: LC, SC, ST or MTRJ, multi mode 2 km (6666 ft) or single mode 15/40/85 km (50000/133333/283333 ft)
- ⌘ DIN rail mounting, 19" Rack and wall mounting options available

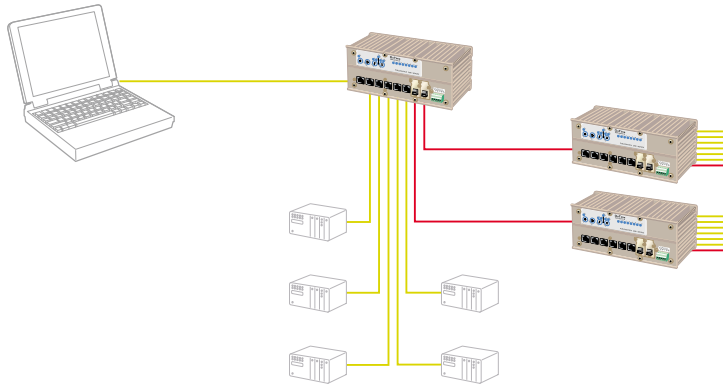
### Field of application

The U200 unmanaged switch is designed for harsh industrial environments. Installation is fast and simple with a broad range of connectivity options ranging from 8 TX (copper) 10/100 Mbit/s ports to 8 FX (fibre) 100 Mbit/s.

A wide input voltage range (19–60 VDC), dual power inputs with polarity protection and very low power consumption enables the units to be run from batteries or permanent power supplies.

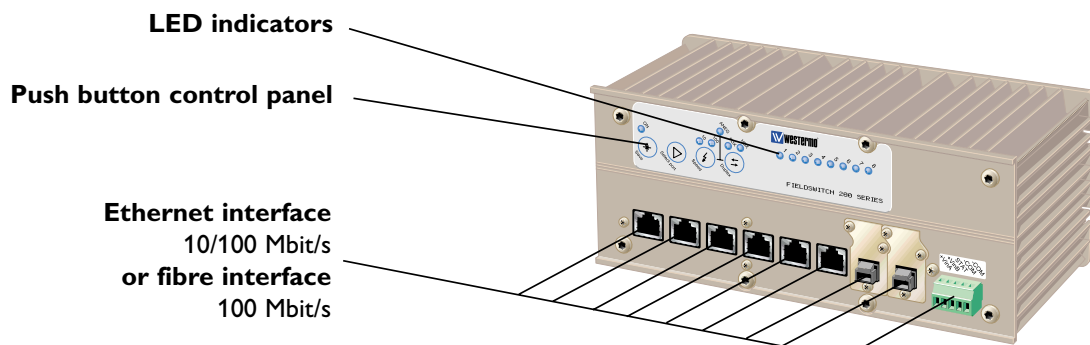
The switch also incorporates two priority queues that are designed to enhance network throughput and hence aid network determinism. In addition, head of line blocking prevention ensures that the switch does not become congested by low priority data. This allows engineers to design a reliable, deterministic network whilst prioritising data into low and high priority queues.

## Application



See other U200 applications on pages 33 and 45

## Interfaces



### Power

	<b>U200 multi or single mode</b>
Rated voltage	19–60 VDC (polarity protected)
Rated current	250 mA @ 24VDC
Rated frequency	DC
Connections	Detachable screw terminal

Data sheet available on [www.westermo.com](http://www.westermo.com)